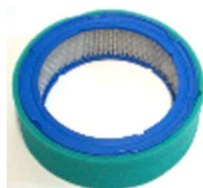




Crendon Nominees Pty Ltd A/T/F  
 the Fry Family Trust T/A: Crendon Machinery  
 ACN 009 135 335 ABN 53 913 250 628  
 2 Ramsay Tce  
 PO Box 95  
 DONNYBROOK WA 6239  
**Ph: (08) 9731 1502**  
**Toll Free: 1300 761 922**  
 Fax: (08) 9731 1657  
 Email: [info@crendon.com.au](mailto:info@crendon.com.au)  
[www.crendon.com.au](http://www.crendon.com.au)

*Manufacturers and Designers of Horticultural and Viticultural Equipment*  
 \* **SQUIRREL** self propelled elevating platforms \* **SADIE** vineyard & orchard sweepers \* **NETWIZZ** netting retriever

## SQUIRREL Parts Catalogue # 6 Engines & Parts, Fuel Tanks & Hoses



### SQUIRREL Parts Catalogue # 6

Page

<i>Engines Complete Vanguard B&amp;S .....</i>	<i>2</i>
<i>Engines Complete Predator .....</i>	<i>3</i>
<i>Engines Parts Vanguard B&amp;S, Filters .....</i>	<i>4</i>
<i>Engines Parts Vanguard B&amp;S, Filters &amp; Electrical.....</i>	<i>5</i>
<i>Engines Parts Vanguard B&amp;S, Filters &amp; Electrical.....</i>	<i>6</i>
<i>Engines Parts Vanguard B&amp;S, Filters &amp; Electrical.....</i>	<i>7</i>
<i>Engines Parts Vanguard B&amp;S, Mufflers.....</i>	<i>8</i>
<i>Engines Parts Vanguard B&amp;S, Gaskets.....</i>	<i>9</i>
<i>Engines Parts Vanguard B&amp;S, other parts.....</i>	<i>9</i>
<i>Engines Parts Predator GB1000.....</i>	<i>11</i>
<i>Engines Kubota parts .....</i>	<i>12</i>
<i>Engines Kubota parts .....</i>	<i>13</i>
<i>Engines Kubota parts .....</i>	<i>14</i>
<i>Engines Honda parts .....</i>	<i>14</i>
<i>Fuel Tank Fittings, Hoses &amp; Clamps.....</i>	<i>15</i>
<i>Fuel Tank &amp; Caps.....</i>	<i>16</i>
<i>Fuel Tank, Caps, Filters, Pump.....</i>	<i>17</i>

**Engine Vanguard 16, 18, 21, 23 & 31Hp out of the box with muffler**



**16hp Std Carbie direct out from box** Petrol engine: Vanguard v-twin cyl & muffler no tank, 16-amp charge rate, rope recoil & electric start, 1" shaft - **EV305447EKIT \$2941.03 + GST**

**18hp Std Carbie direct out from box** Petrol engine: Vanguard v-twin cyl & muffler no tank, 16-amp charge rate, rope recoil & electric start, 1" shaft - **EV356447EKIT \$3044.98 + GST**



**21hp Std Carbie direct out from box** Petrol engine: Vanguard v-twin cyl & muffler no tank, 1.125" shaft 16-amp charge rate & electric start, no rope recoil, no start / stop key assembly wired, in is supplied loose, - **EV381447EKIT \$2513.84 + GST**



**23hp EFI direct out from box** Petrol engine: Vanguard v-twin cyl & muffler no tank, 16-amp charge rate, rope recoil & electric start, 1" shaft - **EV38E347EKIT \$3832.65 + GST**



**31hp Std Carbie direct out from box** Petrol engine: Vanguard v-twin cyl & muffler no tank, 40-amp charge rate, electric start, 1.125" shaft - **EV543477EKNT \$5471.73 + GST**

**Engine Vanguard 16, 18, 21, 23 & 31Hp with muffler, fully fitted for straight bolt in**



**16hp Engine is pre fitted ready to bolt in** Petrol engine: Vanguard v-twin cyl & muffler no tank, auto stop is no oil pressure wired in, 2-amp fuse pre-wired to protect the coils, 10-amp Accessories fuse, top mount muffler extension pipe fitted, throttle system welded & fitted, adjustable Bowden cable end mount, air breather by-pass fitted, drain tap wit extension hose, bottom holes drilled out. - **EV305447PTS \$3288.54 + GST**

**18hp Engine is pre fitted ready to bolt in** Petrol engine: Vanguard v-twin cyl & muffler no tank, auto stop is no oil pressure wired in, 2-amp fuse pre-wired to protect the coils, 10-amp Accessories fuse, top mount muffler extension pipe fitted, throttle system welded & fitted, adjustable Bowden cable end mount, air breather by-pass fitted, drain tap wit extension hose, bottom holes drilled out. - **EV356447PTS \$3392.49 + GST**



**21hp Std Carbie is pre fitted ready to bolt in** Petrol engine: Vanguard v-twin cyl & muffler no tank, 1.125" shaft, no rope recoil, key assembly with start/stop is wired in, auto stop is for no oil pressure wired in, 2-amp fuse pre-wired to protect the coils, top mount muffler extension pipe fitted, throttle system welded & fitted, air breather by-pass fitted, drain tap with extension hose, bottom holes drilled out. -, 8 pin deutsch plug prewired. - **EV381447PTS \$3,432.60 + GST**

**23hp EFI is pre fitted ready to bolt in** Petrol engine: Vanguard v-twin cyl & muffler no tank, auto stop is no oil pressure wired in, 2-amp fuse pre-wired to protect the coils, top mount muffler extension pipe fitted, throttle system welded & fitted, air breather by-pass fitted, drain tap with extension hose, bottom holes drilled out. -, 8 pin deutsch plug prewired. - **EV38E347PTS \$..... + GST**

**Predator power 16.5HP**



**16.5hp Direct out from box**

Petrol engine: electric & rope start, cyclone type air cleaner, 4-amp charge rate, 2-year warranty (return to base Predator Power in Perth). Bolts in same as Honda 11 & 13HP - **EZGB460E** \$635 + GST



**Parts Vanguard V twin cylinder – Filters**



Air Cleaner Cartridge round Ø180mm OD, Ø140mm ID, 56mm high, no fume, 12.5HP,16HP & 23HP EFI – **EV394018S** \$31.16 + GST

Air Cleaner Cartridge round Ø195mm OD, Ø140mm ID 56mm high, 21HP & 31HP only – **EV692519** \$29.36 + GST



Pre-cleaner round foam filter ØOD 180mm **12.5HP,16HP, 18HP & 23HP** EFI **EV272490S** \$8.39 + GST

Pre-cleaner round foam filter round ØOD 180mm 195mm 21hp only – **EV692520** \$14.38 + GST



Air Cleaner Cartridge Blue with foam round Ø180mm OD, Ø140mm ID, 56mm high, **12.5HP,16HP, 18HP & 23HP EFI, aftermarket** – **EV394018CH** \$12.75 + GST

Air Cleaner Cartridge Black with foam round Ø195mm OD, Ø140mm ID, 56mm high, **21HP & 31HP only, aftermarket** – **EV392519CM** \$14.30. + GST



5 x Air Cleaner Cartridge blue with foam round Ø180mm OD, Ø140mm ID, 56mm high, **12.5HP,16HP, 18HP & 23HP EFI, aftermarket** – **EV394018CH5** \$51.00 total = \$10.20 each + GST

5 x Air Cleaner Cartridge black with foam round Ø195mm OD, Ø140mm ID, 56mm high, **21HP & 31HP only, aftermarket** – **EV692519CM5** \$57.20 total = \$11.44 each + GST

**Engine Parts Vanguard – Oil filters**  
All models use same oil filter.



Oil filter short Ø75mm OD, 55mm high, – **EV492932S** \$17.49 + GST



Oil filter short Ø75mm OD, 55mm high, **aftermarket** – **EV492932CH** \$7.80 + GST



5 off Oil filter short Ø75mm OD, 55mm high, **aftermarket** – **EV492932CH5** \$31.80 total = \$6.36 each + GST



Oil drain tap 3/8" SS nipple, 3/8" lockable valve, 1/2" SS hose tail – **VBV38LMF12\***



Oil cooler for Vanguard engines 21HP & 23HP engines, – **EV846489**

**Petrol –Filters**



Fuel filter 10-micron' filter element Ø30mm x 50 long' tube ends Ø6mm & Ø8mm for EFI **aftermarket** – **FF06-10MN** \$8.41 + GST



5 x Fuel filter 10-micron' filter element Ø30mm x 50 long' tube ends Ø6mm & Ø8mm for EFI – **FF06-10MN5** aftermarket \$37.80 total = \$7.56 each + GST

**Engine Parts Vanguard -Elect**



Oil pressure switch, on petrol engines, 1/8" normally closed **after market** (*This is what we are using from - 2015*) – **ESOP1/8NO** \$8.13 + GST



Oil pressure switch, on petrol engines, 1/8"NPT, normally open used to switch on accessory's electric circuit has screw on back (*from mid-2024*) – **ESOPS18NPTNOS** \$17.74 + GST

**Engine Parts Vanguard -Elect**



Diode (ground wire between the 2 coils) 12.5, 14, 16, 21hp – **EV844547** \$22.80 + GST



Spark plug for all V twin Vanguard engines each NGK BCPR5ES – **SPBCPR5ES** \$8.36 + GST



Spark plug for all V twin Vanguard engines box of 10 NGK BCPR5ES – **SPBCPR5ES10** \$62.70 + GST = \$6.27 + GST each

**Engine Parts Vanguard -Elect**



Ignition switch assembly 6 terminals with 2 keys - **EV692318** \$40.44 + GST



Ignition switch assembly 5 terminals with 2 keys - **KSIR**



Coil (Armature Magneto) 12.5hp, 16hp & 21hp – **EV591459** \$90.05 + GST



Coil (Armature Magneto) 12.5hp, 16hp & 21hp, after market – **EV591459CH** \$28.77 + GST

**Engine Parts Vanguard 23 HP EFI**



Rectifier (Voltage Regulator) 23HP EFI – **EV846929** \$155.37 + GST



Coil (Armature Magneto) 23hp EFI– **EV845606** \$66.48 + GST



Coil (Armature Magneto) 23hp EFI, **aftermarket** – **EV845606CH** \$28.77 + GST

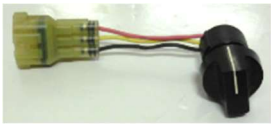
**Engine Parts Vanguard 23 HP EFI**



Diode (ground wire) 23hp EFI – **EV847176**



Wiring Harness for 23hp EFI – **EV848398** \$228.15 + GST



23HP EFI Throttle rotary engine RPM control – **EV84001961**



Alternator 10-16AMP for 23EFI V twin engines – **EV847135** \$178.77 + GST



Alternator 10-16AMP for 23EFI V twin engines, aftermarket – **EV847135CH** \$108.68 + GST



Stepper Motor 23HP EFI – **EV847142** \$168.17 + GST

**Engine Parts Vanguard 23 HP EFI**



High pressure fuel pump 23HP EFI – **EV593890**



High pressure fuel injector 23HP EFI, only one required - **EV846618**

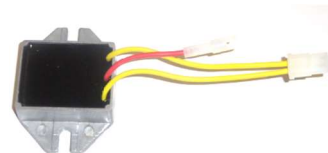


ECU unit for 23HP EFI - **EV847532** \$403.89 + GST

**Engine Parts Vanguard 16-21 HP - Elect**



Rectifier (Voltage Regulator) 12.5, 14, 16, 21hp – **EV691185** \$68.96 + GST



Rectifier (Voltage Regulator) 12.5, 14, 16, 21hp all with rope recoil, has 3 wires, aftermarket – **EV691185CH** \$34.57 + GST



Rectifier (Voltage Regulator) 21hp with no rope recoil, has 4 wires, 841178, aftermarket – **EV.....** \$...... + GST

### Engine Parts Vanguard Starter motors



Starter Motor 14, 16, 21 & 23EFI HP 0146 (B&S #847693) – **EV846407** \$419.23 + GST



Solenoid starter 14, 16, 21 & 23EFI HP – **EV825418**



Starter Motor 14, 16, 21 & 23EFI HP 0146 (B&S #847693) aftermarket – **EV846407CH** \$158.95+ GST



Starter Motor for old 14, 16, 20 & 23HP with heavy duty ring gear 15 tooth (B&S #691564 or 691562) – **EV691564** \$290-29 + GST



Starter Motor for old 14, 16, 20 & 23HP with heavy duty ring gear 15 tooth with starter relay (B&S #691564 or 691562) aftermarket – **EV691564CH** \$118.64 + GST



Drive heavy duty starter kit steel ring gear only – **EV496881**



Solenoid Starter 1 cyl 14, 16, 20 & 23HP for EV691564 starter motors – **EV691656**

### Engine Parts Vanguard 16-21 HP - Elect



Alternator 10-16AMP for all V twin engines not EFI – **EV592830** \$86.28 + GST



Alternator 10-16AMP for all V twin engines not EFI, aftermarket – **EV592830CH** \$33.36 + GST

### Engine Parts Vanguard Shaft seals



Vanguard shaft oil seal rope recoil side for on 16, 18, 21 & 23 HP – **OS30X42X8**



Vanguard shaft oil seal PTO shaft side for on 16, 18, 21 & 23HP – **OS-35-48-8**

**Engine Parts Vanguard mufflers**



Exhaust pipe extension for engines 2010 on 16, HP –  
**KEEPV \$88.00 + GST**



Exhaust Muffler Lo Mount O/F side 12.5/14hp (300D)  
- **EV807742**



Muffler Round 10-12hp (8" long) - **EV391569S**



Muffler deflector suits above – **EV391569S**



Exhaust Hi-Mount oil filter side 14, 16 & 18 hp (300G) –  
**EV691562 \$228.46 + GST**



Exhaust Hi-Mount starter motor side 14, 16 & 18 hp  
(300G) – **EV690906 \$236.00 + GST**



Exhaust Hi-Mount starter motor side with 200mm pipe  
welded on or 14, 16 & 18 hp, – **EVEXTU14-18\* \$307.00  
+ GST**

**Engine Parts Vanguard mufflers**



Exhaust Hi-Mount outlet on oil filter side 21 & 23 HP –  
**808705 \$361.48 +GST**



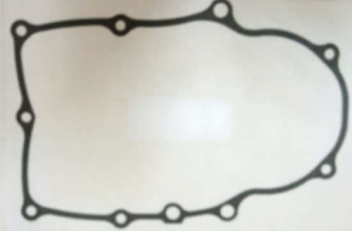
Exhaust Hi-Mount outlet on starter motor side 21 & 23 HP –  
**808855 \$361.48 +GST**



**Vanguard Engine Parts Gaskets**



Head Gasket (old type) 14, 18hp – **EV806085S**



Gasket crankcase 14hp, 16hp, 21hp, 23hp– **EV846487**



Head Gasket 12.5 - 23 HP old type before 7-2021, do not use – **EV842622**



Head Gasket 16- 23 HP new type since 7-2021, – **EV84006734** \$42.14 +GST



Rocker Cover gasket 12.5, 14, 16, 21, 23hp - **EV806039S**



Exhaust gasket 21 & 23hp – **EV806418** \$12.51 +GST



Exhaust gasket 12.5-16hp - **EV691613** \$12.86 + GST

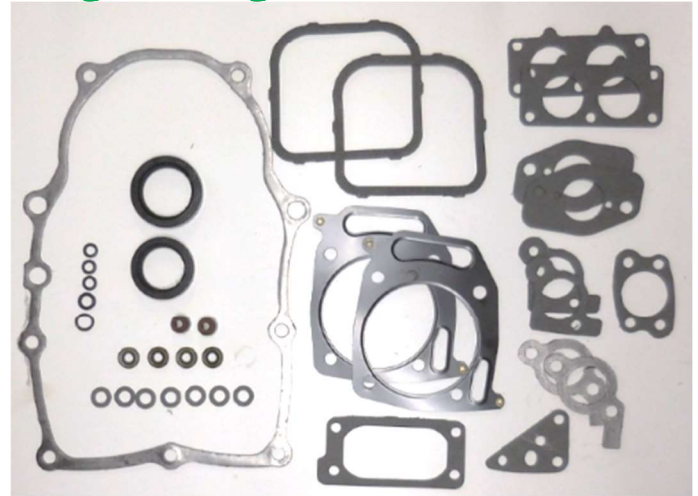


inlet gasket 21 & 23hp – **EV806418**

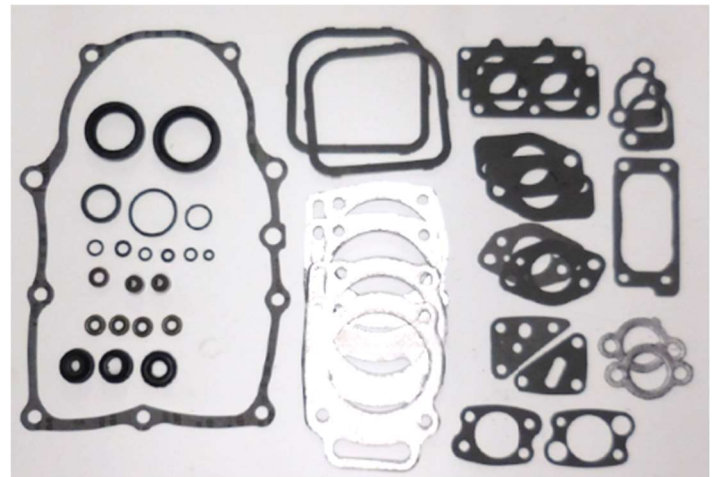


Oil filter adapter gasket 12.5, 14, 16, 21, 23hp – **EV692063**

**Vanguard Engine Parts Gaskets**



Vanguard 21HP & 23HP gasket kit; (head gaskets old type do not use these) Included both shaft seals, Kit as pictured **aftermarket -EV842658CH** \$48.81 +GST df



Vanguard 14HP - 18HP gasket kit; (head gaskets old type do not use these) Included both shaft seals, Kit as pictured **aftermarket - EV841188CH** \$53.04 +GST df

**Engine Parts Vanguard others**



Grip starter 12.5, 14, 16, 21hp – **EV490652**  
 Rope, start 1.5m 12.5, 14, 16, 21hp – **RS\***



keyway 1/4" x 1/4" x 60mm for B&S Engine – **KS1/4x60\***



Rope recoil assembly for 14hp – **EV808152** \$124.50 + GST

**Engine Parts Vanguard 13 HP parts**



Throttle shaft kit 13hp – **EV715388**



Piston ring set Std 13hp – **EV715346**  
 Piston ring set .010 13hp – **EV715367**



Oil fill cap 13hp – **EV493668**



Oil filler tube 13hp – **EV710543**

**Engine Parts Vanguard others**



Fuel pump v-twin 12.5, 14, 16, 21, 23hp, B&S part number 597338 – **EV808656**



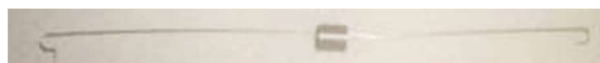
Fuel pump v-twin 12.5, 14, 16, 21, 23hp, B&S part number 597338 *aftermarket* – **EV808656CH**



Throttle (governor) link spring 23HP EFI – **EV847470**



Governor spring 12.5-14hp – **EV692070**



Throttle (governor) link spring 13hp – **EV710563**



Choke link for 21HP Vanguard – **EV691542**

### 36hp GB1000 Engine



### 36hp GB1000 Engine Sparts



Engine Gasket crankcase 36HP GB1000 std carbie & EFI (100077316) – **EZ100077316**



Gasket rocker cover 36HP GB1000 std carbie & EFI (100077118) – **EZ100077118**



Main shaft seal 42x60x7 36HP GB1000 std carbie & EFI (100078422) – **EZ100078422**



Air filter includes both inside & outside Ø104mm x 275mm long 36HP GB1000 std carbie & EFI (100078365) – **EZ100078365**

### 36hp GB1000 Engine Sparts



Carburettor 36HP GB1000 std carbie (100096774) – **EZ100096774**



Charging coil 36HP GB1000 std carbie only (100078358) – **EZ100078358**



Ignition module 36HP GB1000 std carbie only (100088175) – **EZ100088175**



Ignition module 36HP GB1000 std carbie only (100088176) – **EZ100088176**



Regulator 36HP GB1000 std carbie only (100074876) – **EZ100074876**

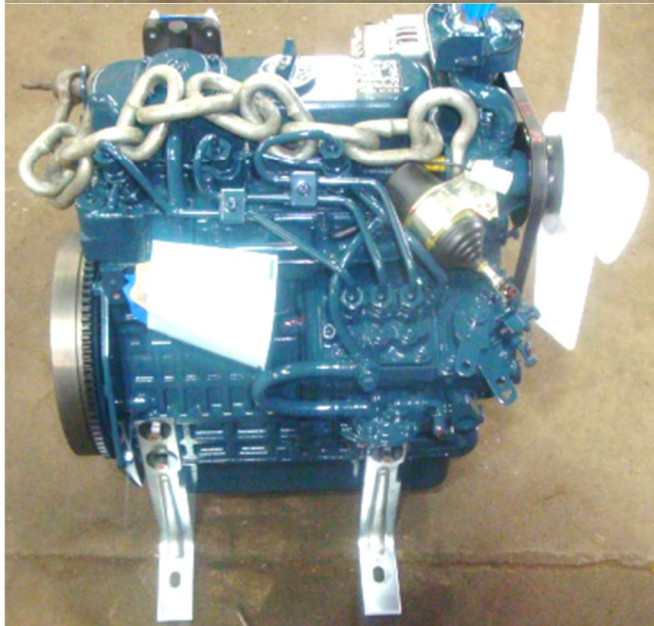
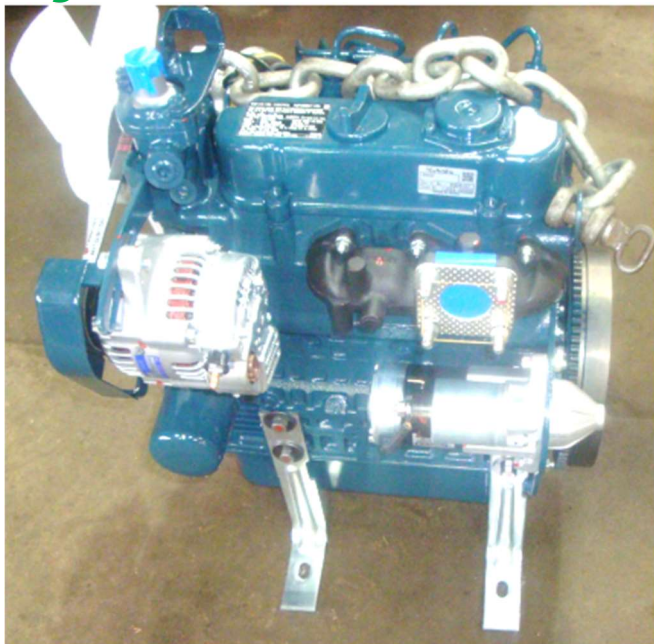


Starter Motor 36HP GB1000 std carbie & EFI (100098108) – **EZ100098108**



Muffler 36HP GB1000 std carbie & EFI (1000133561) – **EZ1000133561**

### Engine Parts Kubota D 902



D902 Engine Bare. 3-cylinder water cooled, 800-3600 rpm, 4 blade sucking fan. Bare engine as in picture above, no muffler, no radiator, no air cleaner, no key assembly etc, **EKD902E** \$4517.29 + GST = each

D902 Engine complete. 3-cylinder water cooled, 800-3600 rpm, supplied but not fitted 6 blade pushing fan, muffler, radiator with mounting brackets, air cleaner with mounting brackets, key assembly, high water temperature switch, radiator overflow tank with mounting brackets, oil dip stick receiver tube, stop timer etc- **EKD902EFK\*** \$5,157.68 + GST = each

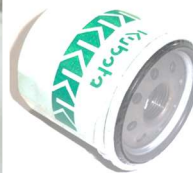
### Kubota D 902 Air & Oil Filters



Kubota D902 Air Cleaner element (89 od x 46 id x 182 long) D722 – D902, (Kubota part number 1G659-11222) aftermarket **1G659-11222CH** \$15.36 + GST



Bulk Kubota D902 Air Cleaner element X 5 (89 od x 46 id x 182 long) D722 – D902, aftermarket, **1G659-11222CH5** total price for 5 \$57.60 + GST = each \$11.52 + GST



Kubota D902 Oil filter, 68mm od x 68mm long, M20x1.5 internal thread, each (Kubota part number HH150-3243-0) *genuine Kubota part* – **EKD902OFC** \$11.28 + GST



Bulk Kubota D902 Oil filter *genuine Kubota part* X 5 – **EKD902OFC5** total price for 5 \$37.03 + GST = each \$7.406 + GST

### Kubota Fuel Filters



Fuel / Water Separator with hand pump D722 – D902 (up to mid 2023) - **KM376QC-1125000**



Fuel / Water Separator Element D722 – D902 (up to mid 2023) - **KM376QC-1125200**

### Kubota Fuel Filters



Fuel filter / pump / Water Separator with electric pump IP68, Deutsch plug, 10 micron, (from mid 2023) – **EKDFFPWSWEP** \$176.75 + GST



Fuel filter Element 10 micron for above Ø75mm x 160mm long each, (from mid 2023)- **EKDFFE75x160** \$24.12 + GST



Bulk 5 x Fuel filter Element 10 micron for above Ø75mm x 160mm long (from mid 2023)- **EKDFFE75x1605** total prise for 5 \$90.45 + GST = each \$18.10 + GST

**Kubota Fuel fittings & injectors**



Fuel inlet 6mm barb – 9.49 quick release elbow for above Pump/filter unit long (from mid 2023)- **FQRE9.49-6**



Fuel outlet 6mm barb – 7.89 quick release elbow for above Pump/filter unit long (from mid 2023)- **FQRE7.89-6**



Kubota D902 fuel injector, each, aftermarket **16871-53002CH** \$80.82 + GST



Kubota D902 alternator connector, aftermarket ..... \$..... + GST

**Kubota parts kits assembly**



Kubota D902 air cleaner assembly with air cleaner element complete, genuine Kubota, **1G952-10901** \$163.20 + GST



Kubota D902 muffler assembly with guards complete, genuine Kubota, **19056-12002** \$285.60 + GST



Kubota D902 Radiator assembly with guards, mounting brackets, hoses, rubber buffers complete, genuine Kubota; **1G952-72001** \$665.60 +GST



Kubota D902 Radiator overflow tank kit D902, genuine Kubota; **EKD722CTK** \$55.20 +GST

**Engine Parts Kubota D 902**



Kubota D902 Engine thermostat; **19434-73014**



Kubota D902 Engine thermostat, after market; **19434-73014CH** \$56.28 + GST



Kubota D902 Engine Water temperature sender switches light on when water is too hot, we connect to stop engine so that it is failsafe overheat engine stop (genuine) D722 – D902 **16222-83041**



Kubota D902 Engine Water temperature sender switches light on when water is too hot, we connect to stop engine so that it is failsafe overheat engine stop (after market) D722 – D902 **EKD722TSAM** \$44.51 + GST



Kubota D902 muffler with pipe extensions, braces and clamp rest, for 2022 models– **EKD902MK22\*** \$384.00 + GST dd



Exhaust pipe extension for 2023 on

**Engine Parts Kubota D 902**



D902 Engine key assembly; **1E013-63593** \$66.58 + GST



D902 Glow plug/Lamp timer; **EKD722GP**



Kubota D902 Engine shut of solenoid energise to stop D902, (Kubota part number 16851-60014) aftermarket, **16851-60014CH** \$86.61 + GST



Kubota D902 engine stop connector, aftermarket ..... \$..... + GST

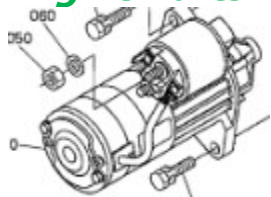


Engine shut of solenoid energise to run D902 **EKD902SSS983**



Kubota D902 Engine shut off solenoid timer D722 – D902, (after market) **T0070-3141-0** \$107.10 + GST

**Engine Parts Kubota D 902**



Kubota D902 Starter motor - **16824-6301-0**



Oil pressure switch, on petrol engines, 1/8" normally closed **aftermarket (This is what we are using from - 2015) - ESOP1/8NO \$8.13 + GST**



Oil pressure switch, on petrol engines, 1/8"NPT, normally open used to switch on accessory's electric circuit has screw on back **(from mid-2024) - ESOPS18NPTNOS \$17.74 + GST**



Kubota D902 engine #417 5 blade pusher fan, Ø300; **12599-74112**



Kubota D902 engine 6 blade pusher fan, Ø315; **1216219-74110 \$41.41 + GST**

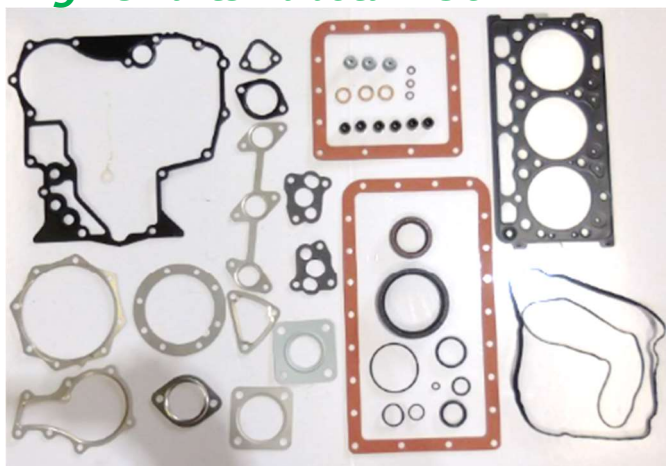


Kubota D902 Radiator bottom support rubber buffers - **1G952-72181**



Kubota D902 Radiator top support rubber buffers 6mm thread both ends- **BCB6067**

**Engine Parts Kubota D 902**



D902 Engine gasket kit, **aftermarket. EKD902FDK \$186.69 + GST**



D902 Engine exhaust gasket aftermarket. **1G263-12370CH \$14.88 + GST**



D902 Engine dip stick guide. For fitting oil dip stick on oil filter side where it is easy to get **17456-36420 \$..... + GST**



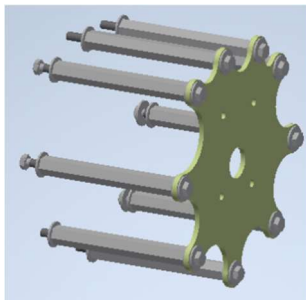
**Engine Parts Kubota D 902**



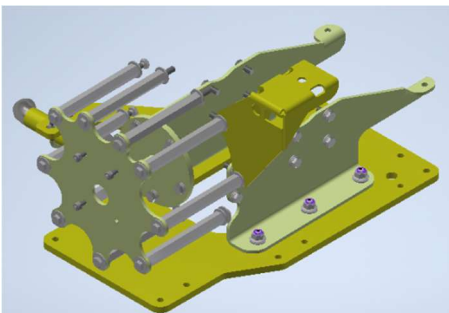
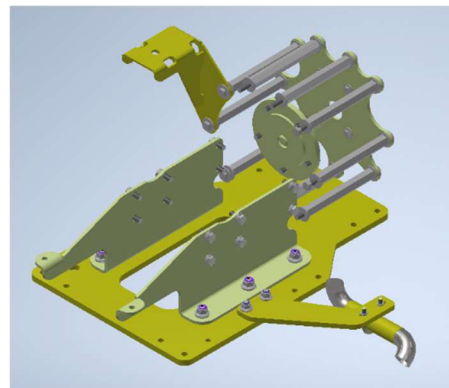
Kubota D902 Engine throttle mount; **EKD902ETM\***



Kubota D902 Engine fly wheel Ø1" stub shaft  
**EKD722SS**



Kubota D902 Bell housing D902, 9 stand of spacers with 10mm threads **EKHKK\***



Kubota D902 Engine base kit with base plate, bell housing, throttle mount, engine stands, Ø1" stub shaft, exhaust extension, all bolts; **EKD902EBK\***

**Engine Parts Honda**



Air Cleaner element GX340/390 – **EH17210-ZE3-505**



Spark plug NGK B-4H G200-G400 – **SPB-4H**  
Spark plug NGK BP6ES GX models – **SPBP6ES**



Muffler with heat guard for Honda GX 390 & GX 340 – **EH18310-ZE3-003**



Manifold for Honda GX 390 & GX 340 – **EH18330-ZE2-W00**



Gasket Muffler to manifold for Honda GX 390 & GX 340 – **EH18381-ZE2-W10**

### Fuel Tank & Fittings



Fuel Hose Fitting (OMC-JPW2440) - **FT14503**  
Tank/Engine Conn (F) 8mm plastick OMC- **FT2197**



Fuel Tank Fitting OMC - **FT14508**



Fuel Hose Fitting (SUZUKI-JPW2442) - **FT14504S**



Fuel Tank adaptor (SUZUKI-JPW2577) - **FT14509S**



Fuel Hose Fitting (Merc/Mariner JPW2444) - **FT2444FTF**



Fuel Tank adaptor straight (M/M-JPW2448) - **FT2448FTA**



Fuel Tank adaptor 90° (M/M-JPW2443) - **FT2443FTA**



Primer bulb assy lge (JPW2413) - **FT14572**



Nylon pick-up replacement JPW2251 - **FT2251**

### Fuel Tank & Fittings



6mm (1/4") Fuel hose rubber with 1ply - **HJB14CH**  
8mm (5/16") Fuel hose rubber with 1ply - **HF0516CH**  
10mm (3/8") Fuel hose rubber with 1ply - **HJB3/8CH**



Fuel hose clamp (id 10mm) for 4mm fuel hose - **HC 10**  
Fuel hose clamp (id 12mm) for 6mm fuel hose - **HC 12**  
Fuel hose clamp (id 14mm) for 8mm fuel hose - **HC 14**  
Fuel hose clamp (id 16mm) for 10mm fuel hose - **HC 16**

**Squirrel 100 It Fuel tanks Steel**



100 It Squirrel Fuel Steel Tank. Made from 3mm zinc steel, bolt inside includes fuel tap, return ¼" BSPT socket, breathable fuel cap, fuel sighter level hose, drain plug (558, 678 & 818) – **FT100S**



Squirrel Fuel Steel Tank. Made from 3mm zinc steel, bolt inside includes fuel tap, return ¼" BSPT socket, breathable fuel cap, fuel sighter level hose, drain plug (for 358 from 2021) – **FT358S**



Steel Cap for 100 It Squirrel Fuel Steel Tank. – **XFT100FC** (up to 8-2021)



Plastic Cap vented for 100 It Squirrel Fuel Steel Tank. – **XFT100PCV** (from 8-2021)



Plastic Cap vented for 100 It Squirrel Fuel Steel Tank. And neck – **XFT100PCV+N** (from 8-2021)

**Squirrel 55 It Fuel tanks Steel**



55 It Squirrel Fuel Steel Tank. Made from 2mm zinc steel, bolt inside includes fuel tap with filter, return ¼" BSPT socket, breathable fuel cap, fuel sighter level hose, drain plug (for old 355, 505, 536, 655, 656, 805) – **FT55S**



Cap for 55 It Squirrel Fuel Steel Tank. – **XFT100PCV**



Fuel tap & filter for 55 It Squirrel Fuel Steel Tank. – **XFT55FT**



Steel Cap and bolt on stem with mesh Ø47 x 100 long for some 55 It Squirrel Fuel Steel Tank. Cap thread Ø47 – **XFT55SWM**

**Squirrel 24 It Fuel tank Steel**



24 It Squirrel Fuel Steel Tank. Made from 2mm zinc steel, (656 2B & 807 2B) – **FTS24C**



Fuel Steel spout & plastic fuel cap with level gage (spares for fuel tank for 656 2B & 807 2B) – **XFT24FC**

**Fuel Tank**



Fuel Tank 23 lt portable (Poly) – **FT14513**



Fuel cap with level gage (spares for plastic fuel tanks) – **FT14513G**



Fuel tank (poly) 10 lt – **FTP10**



Fuel tank 20 lt red poly 2 spout – **FT20R2S**



Fuel Tank 10lt red with breakaway & pick-up pipe fitted – **XFC10LPFC\***



Fuel Tank 20lt red poly 2 spout with breakaway & pick-up pipe fitted - **XFC20LPFC\***

**Fuel Tank Fittings**



Pick-up for 20lt fuel tank – **XFC20PU\***



Fuel tank 20 lt pick up plate **XFP20PUT\***



Fuel cap retainer screw for 10 lt poly tank – **FTP10FCRC**



Fuel tank take-off (10 lt poly) – **FTP10TTO**

**Fuel Pump**



Fuel pump 12V Ø6mm & Ø8mm – **FPEG601-52030**

**Fuel Filters**



Fuel filter 10-micron' filter element Ø30mm x 50 long' tube ends Ø6mm & Ø8mm for EFI – **FF06-10MN \$8.41 + GST**



5 x Fuel filter 10-micron' filter element Ø30mm x 50 long' tube ends Ø6mm & Ø8mm for EFI – **FF06-10MNS \$37.80 total = \$7.56 each + GST**